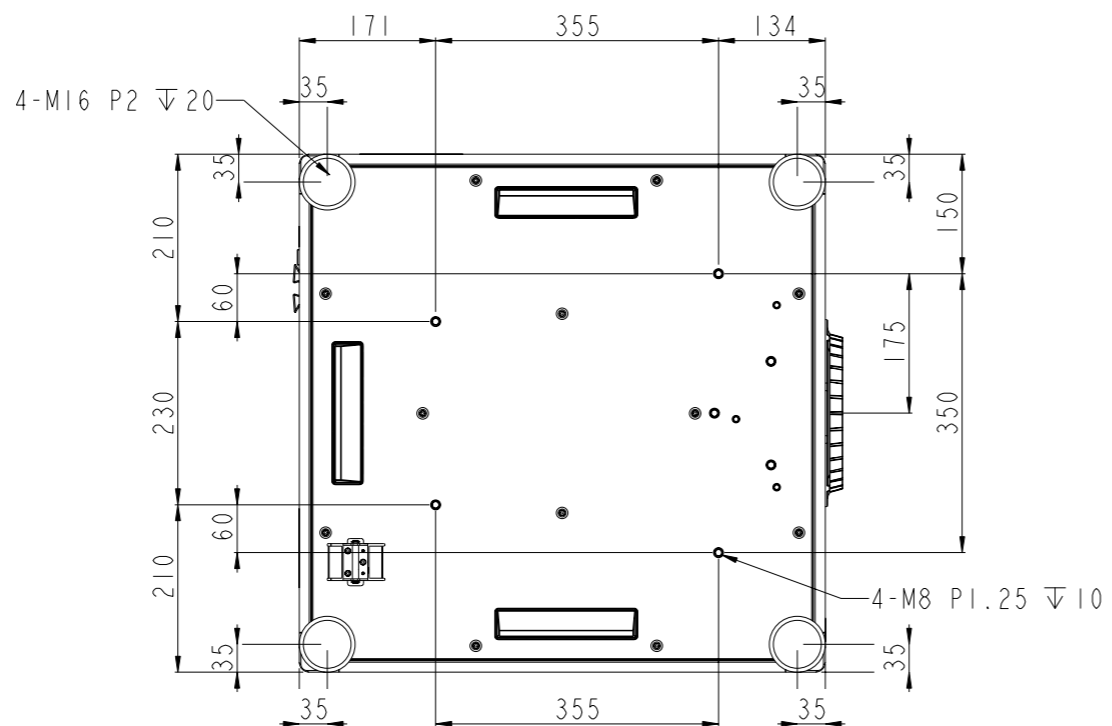
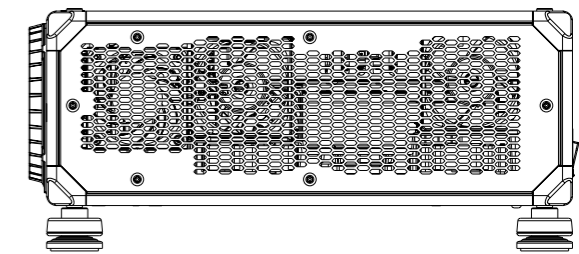
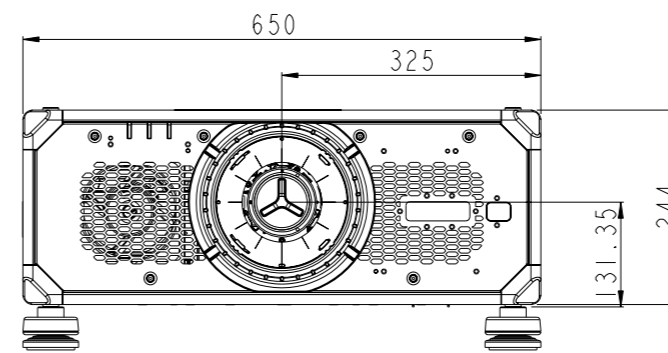
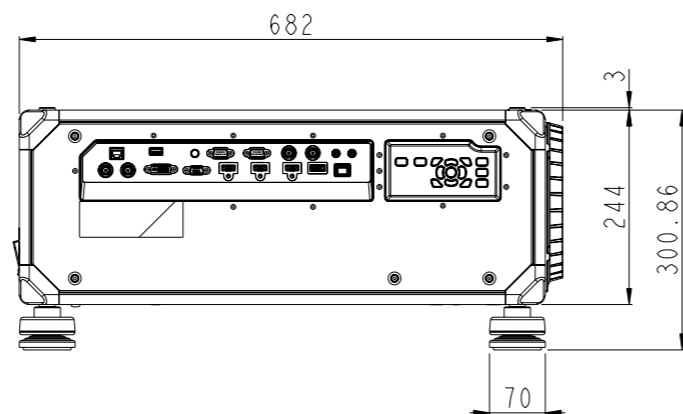
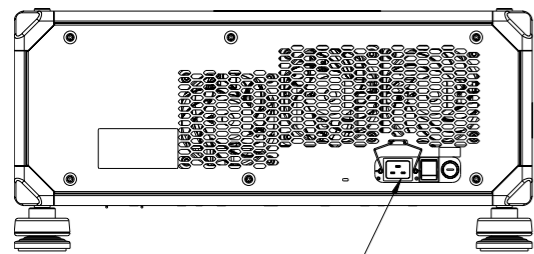
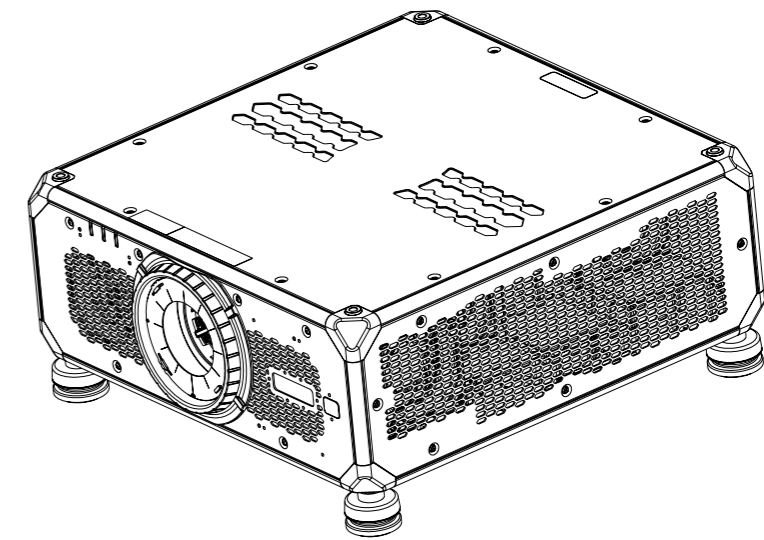
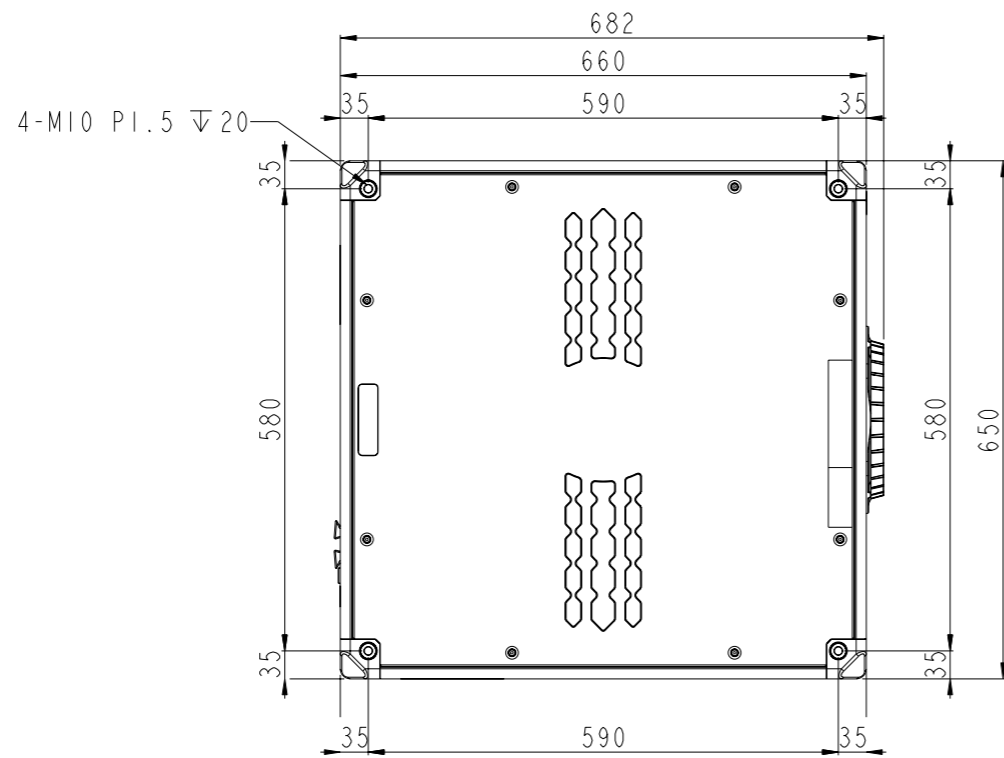


## UB SERIES LENSES

A11 / A18 / A19 / A20 / A21 / A22 / A23 / A27  
for ZU2200 / ZU1900 / ZU1700



Choose the ideal lens for your environment from a wide range of easily interchangeable options. These maximise quality and versatility and enable big-screen image projection in any space.



GENERAL NOTES  
 OPERATING TEMPERATURE RANGE:  
 for 0 ~ 2500 FT, 0 ~ 50°C, UNIT SHUTDOWN@53±2°C  
 for 2500 ~ 5000 FT, 0 ~ 50°C  
 for 5000 ~ 10000 FT, 0 ~ 45°C  
 TEMPERATURE >40°C OR ALTITUDE > 5000 FT,  
 SYSTEM WILL DIM OUTPUT BRIGHTNESS SO PROJECTOR WORKS NORMALLY.

INPUT:  
 AC 100-240V~, 50/60Hz, 20A  
 AC 200-240V~, 50/60Hz, 13.2A

# UB SERIES LENSES

A11 / A18 / A19 / A20 / A21 / A22 / A23 / A27

## Technical specifications



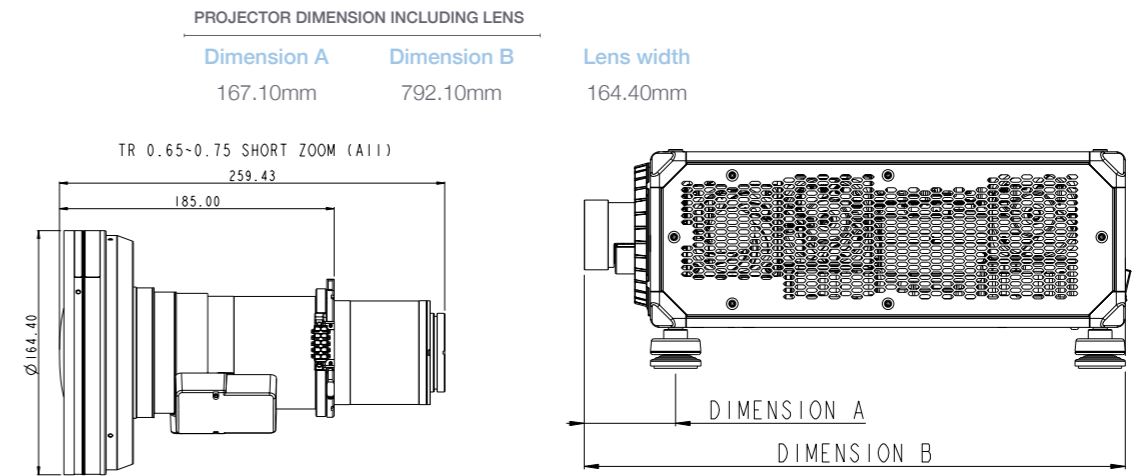
PROJECTION LENS	A11	A18	A19	A20	A21	A22	A23	A27
Throw Ratio	0.65 ~ 0.75:1	0.84 ~ 1.02:1	1.02 ~ 1.36:1	1.2 ~ 1.5:1	1.5 ~ 2.0:1	2.0 ~ 4.0:1	4.0 ~ 7.2:1	7.2 ~ 10.8:1
Zoom	1.15x	1.2x	1.33x	1.25x	1.33x	2x	1.8x	1.5x
Throw Distance (m)	0.70 ~ 8.08	0.90 ~ 10.98	1.10 ~ 14.65	1.34 ~ 16.69	1.64 ~ 21.75	2.10 ~ 42.43	4.25 ~ 76.89	7.75 ~ 116.31
Lens shift	see user manual for details							
Aperture	2.4 ~ 2.59	2.0 ~ 2.3	2.0 ~ 2.3	2.18 ~ 2.56	2.0 ~ 2.24	2.2 ~ 2.75	2.3 ~ 2.6	2.4 ~ 3.1
Focal length (mm)	13.81~15.95	18.13 ~ 21.75	21.5 ~ 28.7	25.5 ~ 31.8	31.8 ~ 42.1	42.4 ~ 84.5	84.1 ~ 149.8	150.9 ~ 226.4

## Projection distance table

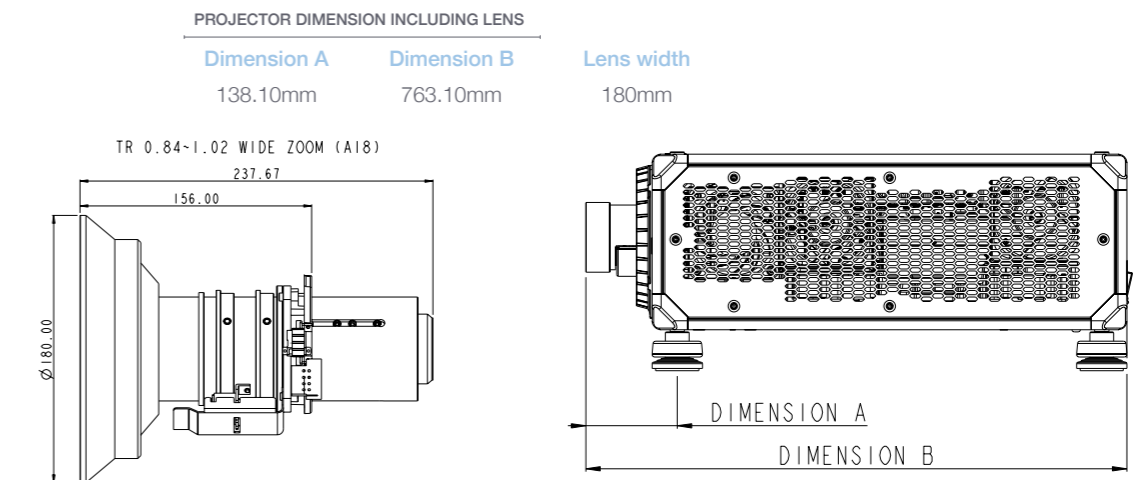
DIAGONAL (inches)	HEIGHT (m)	WIDTH (m)	A11 (Min/Max)	A18 (Min/Max)	A19 (Min/Max)	A20 (Min/Max)	A21 (Min/Max)	A22 (Min/Max)	A23 (Min/Max)	A27 (Min/Max)
50	0.67	1.08	0.7 ~ 0.81	0.9 ~ 1.1	1.1 ~ 1.46	1.34 ~ 1.67	1.64 ~ 2.18	2.1 ~ 4.24	4.25 ~ 7.69	7.75 ~ 11.63
60	0.81	1.29	0.84 ~ 0.97	1.09 ~ 1.32	1.32 ~ 1.76	1.6 ~ 2	1.96 ~ 2.61	2.52 ~ 5.09	5.1 ~ 9.23	9.3 ~ 13.96
70	0.94	1.51	0.98 ~ 1.13	1.27 ~ 1.54	1.54 ~ 2.05	1.87 ~ 2.34	2.29 ~ 3.05	2.94 ~ 5.94	5.96 ~ 10.77	10.86 ~ 16.28
80	1.08	1.72	1.12 ~ 1.29	1.45 ~ 1.76	1.76 ~ 2.34	2.14 ~ 2.67	2.62 ~ 3.48	3.36 ~ 6.79	6.81 ~ 12.3	12.41 ~ 18.61
90	1.21	1.94	1.26 ~ 1.45	1.63 ~ 1.98	1.98 ~ 2.64	2.4 ~ 3	2.95 ~ 3.92	3.78 ~ 7.64	7.66 ~ 13.84	13.96 ~ 20.94
100	1.35	2.15	1.4 ~ 1.62	1.81 ~ 2.2	2.2 ~ 2.93	2.67 ~ 3.34	3.27 ~ 4.35	4.2 ~ 8.49	8.51 ~ 15.38	15.51 ~ 23.26
110	1.48	2.37	1.54 ~ 1.78	1.99 ~ 2.42	2.42 ~ 3.22	2.94 ~ 3.67	3.6 ~ 4.79	4.62 ~ 9.34	9.36 ~ 16.92	17.06 ~ 25.59
120	1.62	2.58	1.68 ~ 1.94	2.17 ~ 2.64	2.64 ~ 3.52	3.21 ~ 4.01	3.93 ~ 5.22	5.04 ~ 10.18	10.21 ~ 18.45	18.61 ~ 27.91
130	1.75	2.8	1.82 ~ 2.1	2.35 ~ 2.86	2.86 ~ 3.81	3.47 ~ 4.34	4.26 ~ 5.66	5.46 ~ 11.03	11.06 ~ 19.99	20.16 ~ 30.24
140	1.88	3.02	1.96 ~ 2.26	2.53 ~ 3.08	3.08 ~ 4.1	3.74 ~ 4.67	4.58 ~ 6.09	5.88 ~ 11.88	11.91 ~ 21.53	21.71 ~ 32.57
150	2.02	3.23	2.1 ~ 2.42	2.71 ~ 3.3	3.3 ~ 4.39	4.01 ~ 5.01	4.91 ~ 6.53	6.3 ~ 12.73	12.76 ~ 23.07	23.26 ~ 34.89
160	2.15	3.45	2.24 ~ 2.58	2.89 ~ 3.52	3.52 ~ 4.69	4.27 ~ 5.34	5.24 ~ 6.96	6.72 ~ 13.58	13.61 ~ 24.61	24.81 ~ 37.22
170	2.29	3.66	2.38 ~ 2.75	3.08 ~ 3.73	3.73 ~ 4.98	4.54 ~ 5.68	5.57 ~ 7.4	7.14 ~ 14.43	14.46 ~ 26.14	26.36 ~ 39.55
180	2.42	3.88	2.52 ~ 2.91	3.26 ~ 3.95	3.95 ~ 5.27	4.81 ~ 6.01	5.89 ~ 7.83	7.56 ~ 15.28	15.31 ~ 27.68	27.91 ~ 41.87
190	2.56	4.09	2.66 ~ 3.07	3.44 ~ 4.17	4.17 ~ 5.57	5.07 ~ 6.34	6.22 ~ 8.27	7.98 ~ 16.12	16.17 ~ 29.22	29.47 ~ 44.2
200	2.69	4.31	2.8 ~ 3.23	3.62 ~ 4.39	4.39 ~ 5.86	5.34 ~ 6.68	6.55 ~ 8.7	8.4 ~ 16.97	17.02 ~ 30.76	31.02 ~ 46.52
250	3.37	5.38	3.5 ~ 4.04	4.52 ~ 5.49	5.49 ~ 7.32	6.68 ~ 8.35	8.18 ~ 10.88	10.5 ~ 21.22	21.27 ~ 38.45	38.77 ~ 58.16
300	4.04	6.46	4.2 ~ 4.85	5.43 ~ 6.59	6.59 ~ 8.79	8.01 ~ 10.02	9.82 ~ 13.05	12.6 ~ 25.46	25.52 ~ 46.14	46.52 ~ 69.79
350	4.71	7.54	4.9 ~ 5.65	6.33 ~ 7.69	7.69 ~ 10.25	9.35 ~ 11.68	11.46 ~ 15.23	14.7 ~ 29.7	29.78 ~ 53.83	54.28 ~ 81.42
400	5.38	8.62	5.6 ~ 6.46	7.24 ~ 8.79	8.79 ~ 11.72	10.68 ~ 13.35	13.1 ~ 17.4	16.8 ~ 33.95	34.03 ~ 61.52	62.03 ~ 93.05
450	6.06	9.69	6.30 ~ 7.27	8.14 ~ 9.89	9.89 ~ 13.18	12.02 ~ 15.02	14.73 ~ 19.58	18.90 ~ 38.19	38.29 ~ 69.21	69.79 ~ 104.68
500	6.73	10.77	7.00 ~ 8.08	9.05 ~ 10.98	10.98 ~ 14.65	13.35 ~ 16.69	16.37 ~ 21.75	21.00 ~ 42.43	42.54 ~ 76.89	77.54 ~ 116.31

## Lens technical drawings

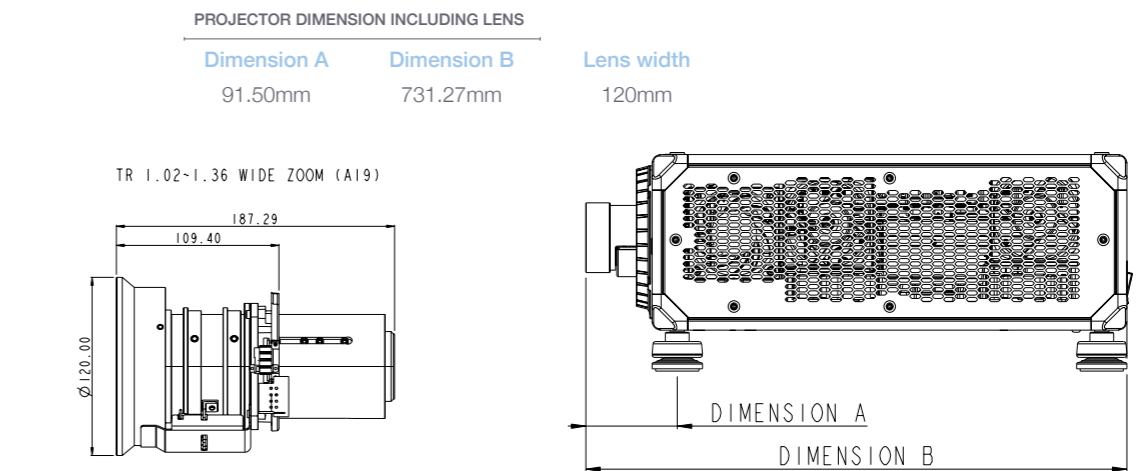
### A11



### A18



### A19



# UB SERIES LENSES

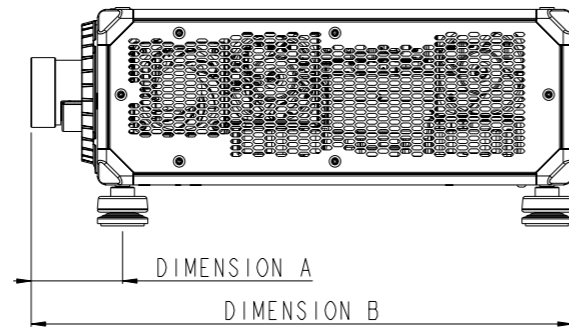
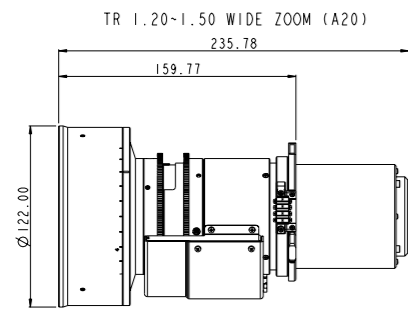
A11 / A18 / A19 / A20 / A21 / A22 / A23 / A27

## Lens technical drawings

### A20

PROJECTOR DIMENSION INCLUDING LENS

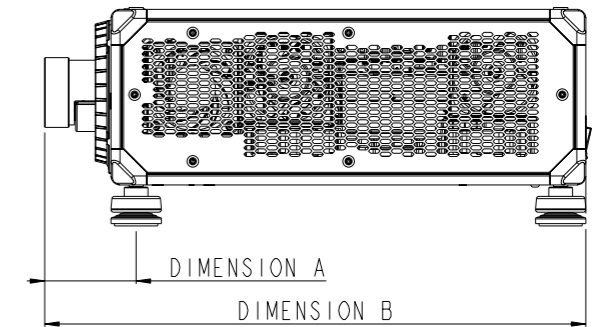
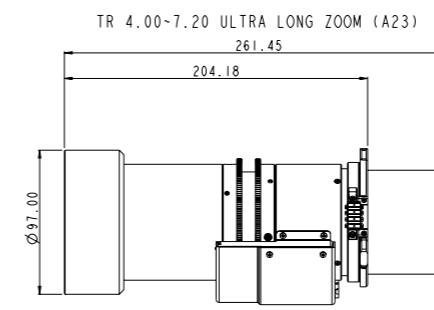
Dimension A	Dimension B	Lens width
141.87mm	766.87mm	122mm



### A23

PROJECTOR DIMENSION INCLUDING LENS

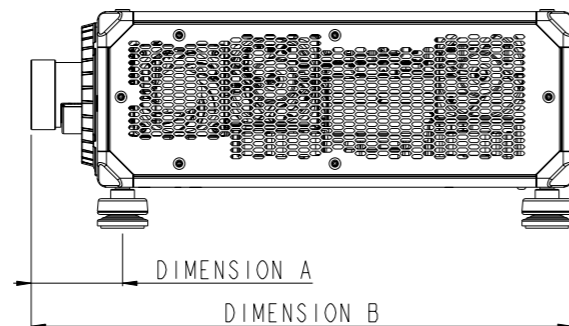
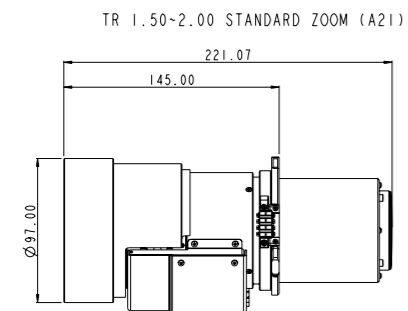
Dimension A	Dimension B	Lens width
186.28mm	811.28mm	97mm



### A21

PROJECTOR DIMENSION INCLUDING LENS

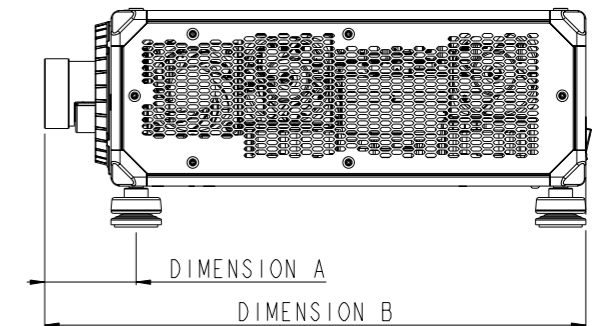
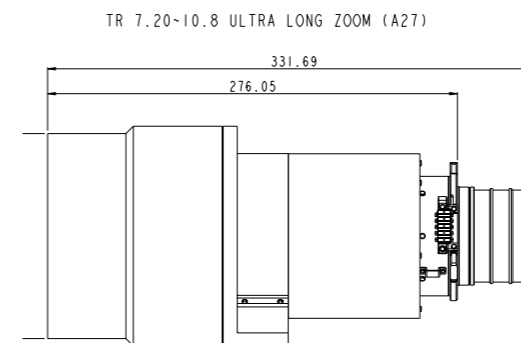
Dimension A	Dimension B	Lens width
127.10mm	752.10mm	97mm



### A27

PROJECTOR DIMENSION INCLUDING LENS

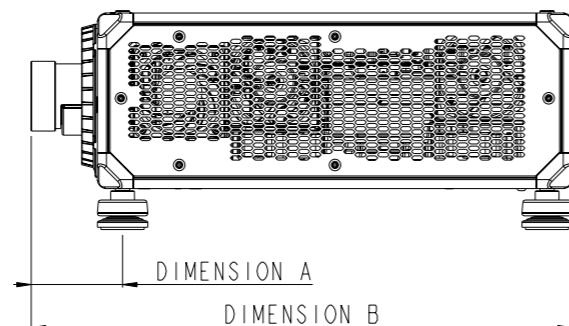
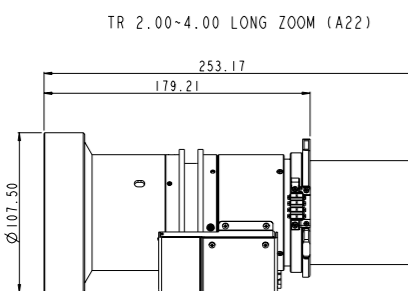
Dimension A	Dimension B	Lens width
258.15mm	883.15mm	138mm



### A22

PROJECTOR DIMENSION INCLUDING LENS

Dimension A	Dimension B	Lens width
161.31mm	786.31mm	107.50mm



optoma.com

Copyright © 2021, Optoma and its logo is a registered trademark of Optoma Corporation. Optoma Europe Ltd is the licensee of the registered trademark. All other product names and company names used herein are for identification purposes only and may be trademarks or registered trademarks of their respective owners. Errors and omissions excepted, all specifications are subject to change without notice. All images are for representation purposes only and may be simulated. 06/07/21 v2